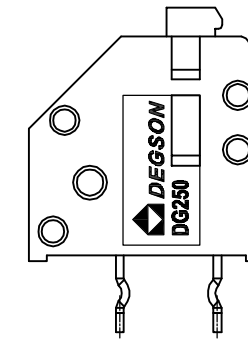
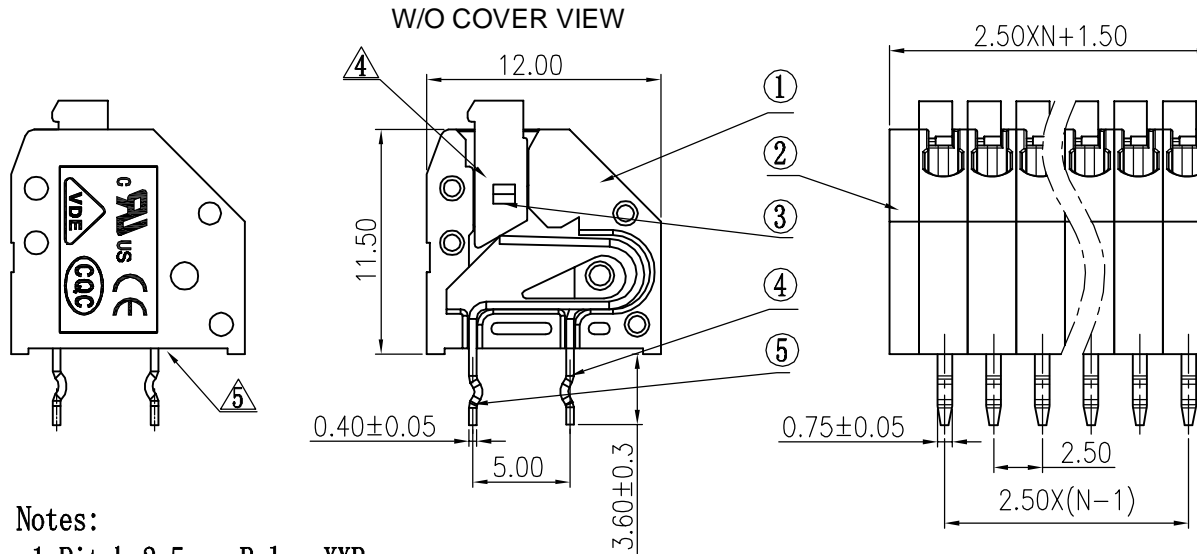
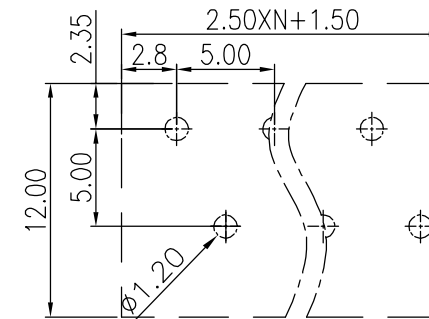


REVISION RECORD				
REV	ECO	DESCRIPTION	DRFT	DATE
△		图面更新	HW	04/17/06*
△		新增UL刻字	LYK	03/01/07*
△		品名、料号增加环保标示“(H)”	LJH	12/08/07*
△		修改视图	LJH	11/28/08*
△		工程变更：底部加筋	WLM	04/10/09*
△		修改PCB板孔径	WLM	04/22/09*



Notes:

1. Pitch: 2.5mm, Poles: XXP
2. Rated voltage/current: UL 300V/2A  
VDE 250V/6A
3. Operation temperatures: -40°C ~ +105°C
4. Withstanding Voltage: AC1500V/1Min
5. Insulation Resistance: 5000MΩ / DC1000V
6. Wire Range: 24~20AWG, 0.5mm<sup>2</sup>
7. Undimensioned Tolerances:



Pitch range in mm			Nominal dimension range in mm					
to	over	over	to	over	over	over	over	
6	10	24	30	60	100	150		∩
±0.10	±0.15	±0.25	±0.2	±0.3	±0.5	±0.7	±1.0	0.05/0.10

5	DG250-2.5 big Pin header	3022B00010 (H)	(XX+1)/2 / XX/2	Phosphor bronze	SnCe plated
4	DG250-2.5 small Pin header	3022B00020 (H)	(XX-1)/2 / XX/2	Phosphor bronze	SnCe plated
3	DG250-2.5 Button	3022D0Y01A (H)	XX	PA66	UL94V-0
2	DG250-2.5 Cover	3018C0Y01A (H)	1	PA66	UL94V-0

ITEM	NAME OF PART	NO. OF PART	Q'TY	MATERIAL	NOTES
1	DG250-2.5-Housing	3022A0Y01A (H)	XX	PA66	UL94V-0

MM (INCH)	DATE	DATE
MM	07/03/06	
CHD		
MFO		
APPL		
MATERIAL :		
G. E :		
FINISH :		
SCALE : 1:1		

		DEGSON® 宁波高正电子有限公司 DEGSON ELECTRONICS CO., LTD
NAME DG250-2.5-XXP-1Y-00A (H)		DRAWING NO. DG250-2.5-E01 /PART NO.
DO NOT SCALE DRAWING	SHEET 1 OF 1	SIZE A4 REV T6 04/22/09*